

A-align Set Out Guide

Rusticated
Weatherboard

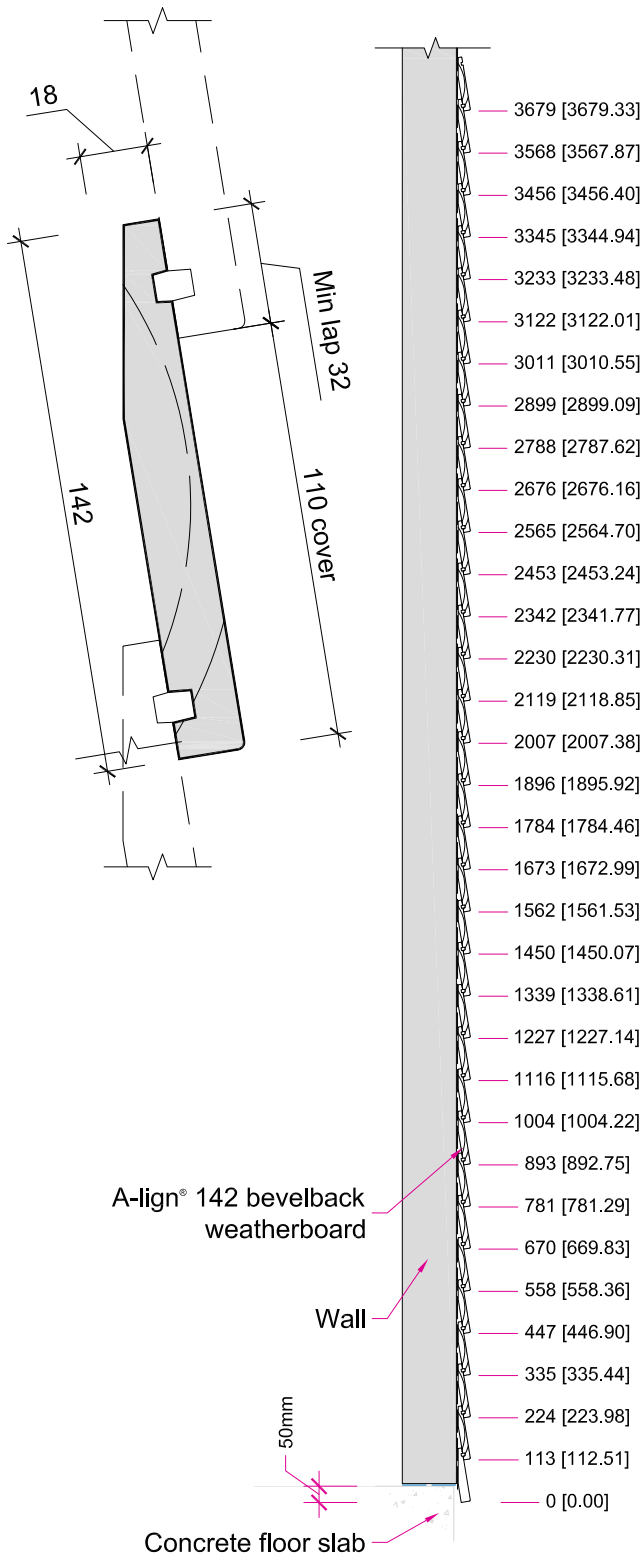


Ingrained Precision

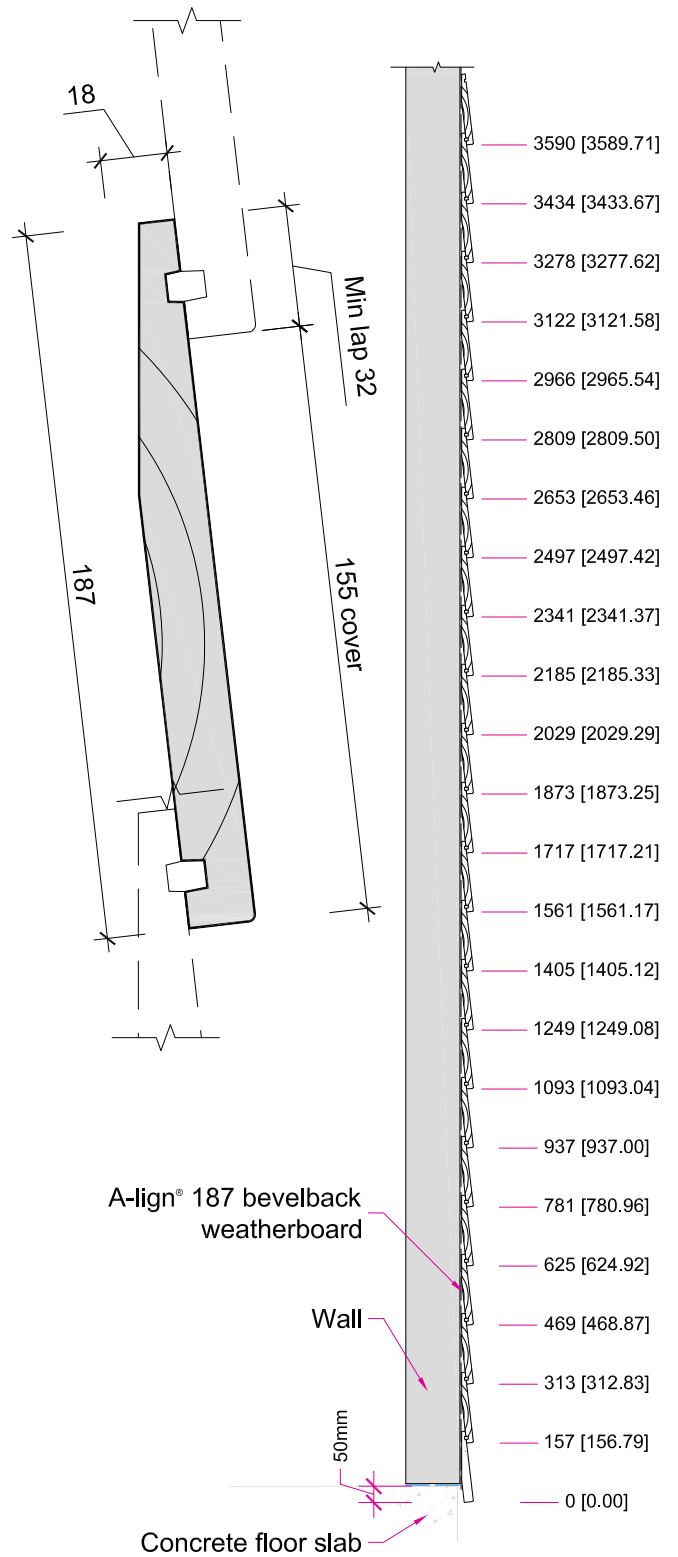
in everything we do

claymark.co.nz

Set out Guide



A-align 142
Bevelback weatherboard



A-align 187
Bevelback weatherboard

Dimensions within brackets are rounded to millimetres.

A-align base weatherboard to finish min 50 mm below floor level (and 175 mm above finished ground level or 100 mm above paving)